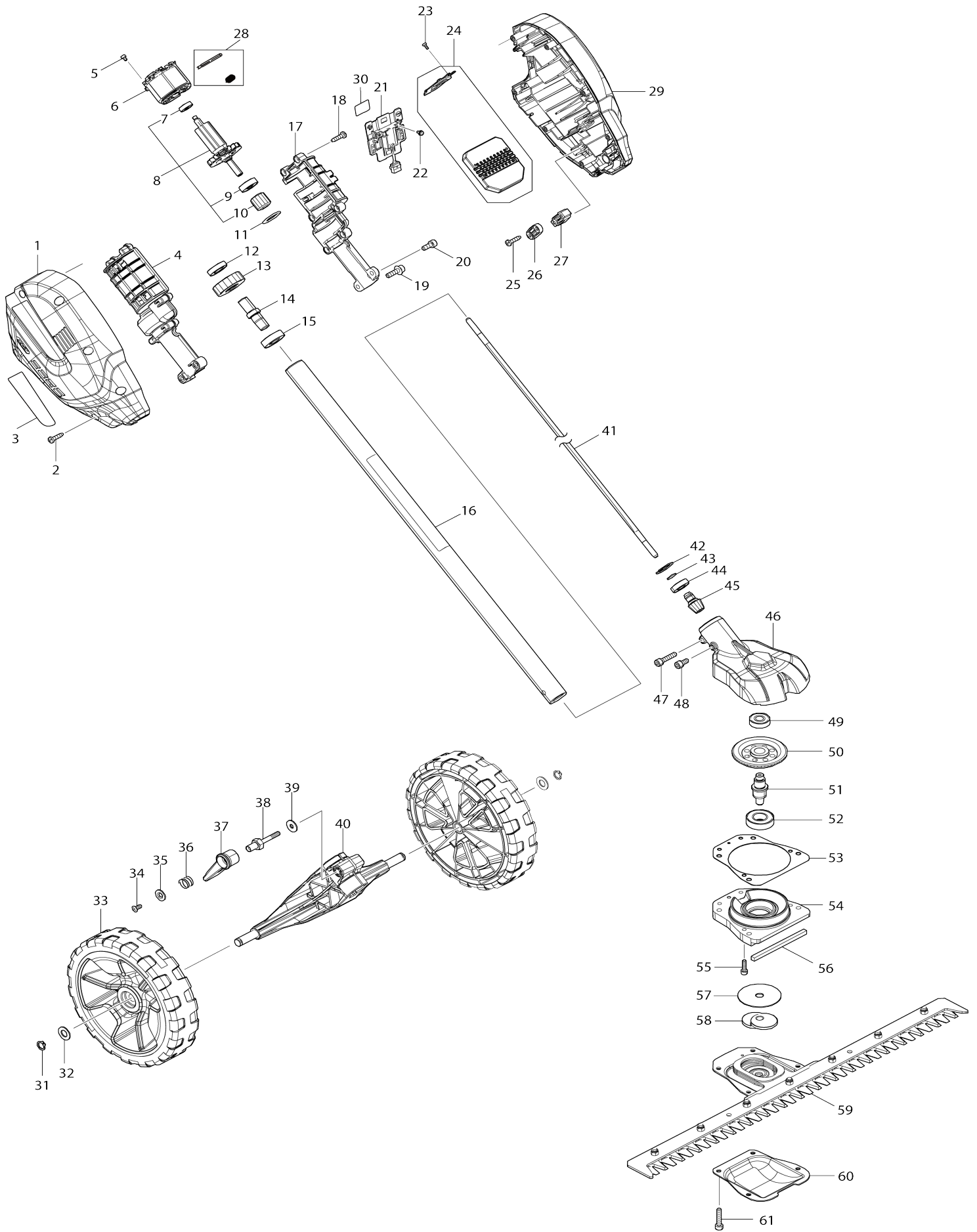
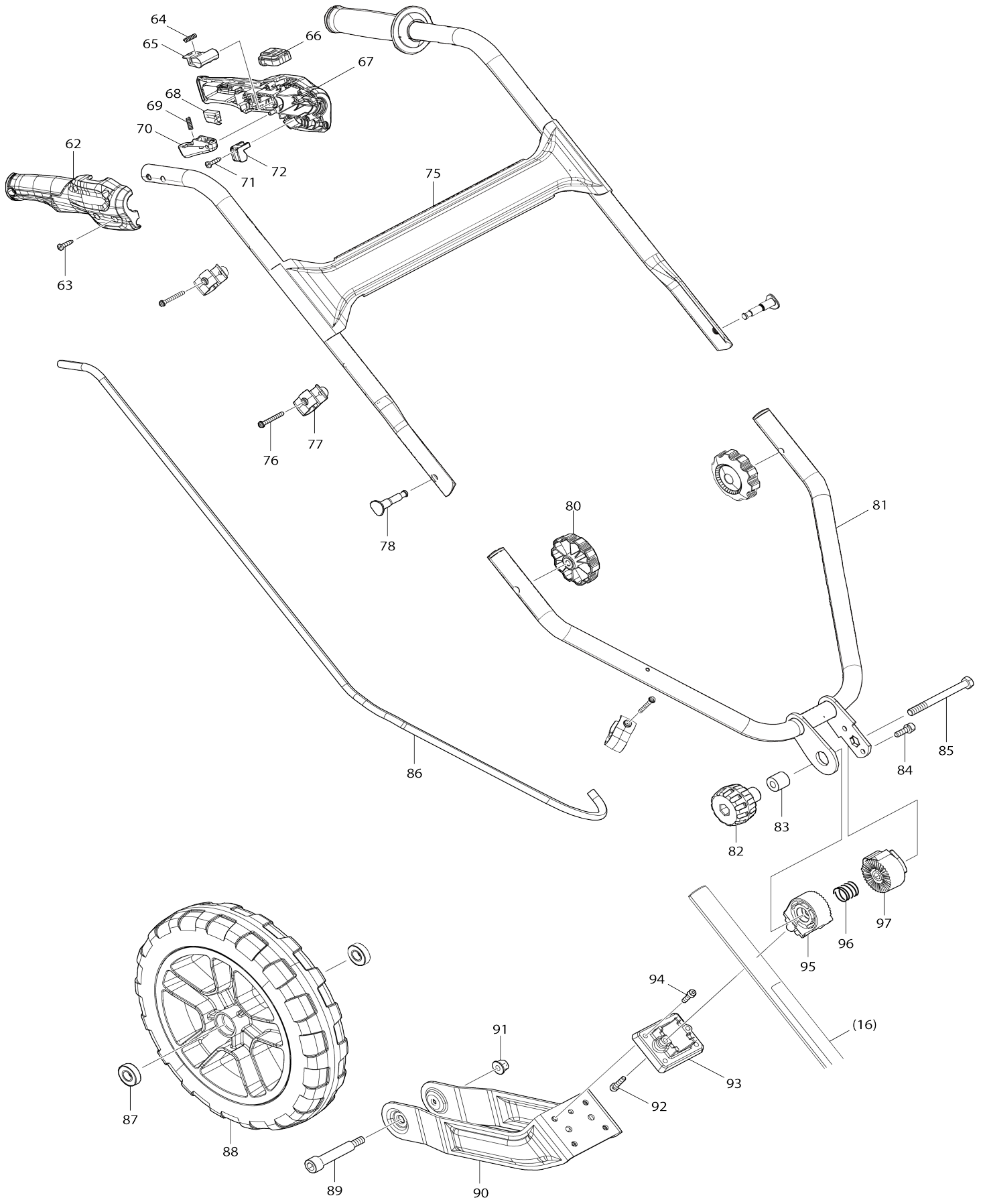


Model No.UG001G Cordless Ground Trimmer



Model No.UG001G Cordless Ground Trimmer



Model No.UG001G Cordless Ground Trimmer

Item No.	Parts No.	Description	Interchangeability	Q'ty	New/Old	Note1	Note2
001	1832G2-3	HOUSING SET		1			
C10	263005-3	Rubber pin 6		2			
001		INC. 29					
002	266326-2	Binding head tapping screw 4X18		7			
003	8155B8-3	UG001G NAME PLATE		1			
004	183X80-6	Motor housing set		1			
004		INC. 17					
005	652069-6	Flat head screw M3X6		3			
006	629340-3	Stator		1			
007	210235-7	Ball bearing 625ZZ		1			
008	519940-6	ROTOR ASS'Y		1			
008		INC. 7,9,10					
009	210236-5	Ball bearing 627ZZ		1			
010	227A68-9	Helical gear 16		1			
011	213925-1	O-ring 21		1			
012	210243-8	Ball bearing 6901ZZ		1			
013	227848-7	Helical gear 33		1			
014	327719-9	Spindle hub		1			
015	210244-6	Ball bearing 6001ZZ		1			
016	1413D3-2	Shaft pipe complete A		1			
C10	8098V2-3	CAUTION LABEL		1			
017	183X80-6	Motor housing set		1			
017		INC. 4					
018	266326-2	Binding head tapping screw 4X18		6			
019	922234-4	Hex. socket head bolt M5X20 WG		2			
020	922216-6	Hex. socket head bolt M5X14 W		1			
021	632W79-7	Terminal unit		1			
022	652031-1	Pan head screw M3X6		2			
023	266490-9	Pan head tapping screw 2X6		3			
024	620T54-7	Controller		1			
025	266326-2	Binding head tapping screw 4X18		2			
026	687123-7	Strain relief		1			
027	687051-6	Strain relief		1			
028	632R79-7	Lead unit		1			
029	1832G2-3	HOUSING SET		1			
C10	263005-3	Rubber pin 6		2			
029		INC. 1					
030	8155C2-2	UG001G SERIAL NO. LABEL		1			
031	961006-2	Retaining ring (EXT) S-10		2			
032	253828-7	Flat washer 10		2			
033	4135D5-3	Wheel 180		2			
034	265135-6	Countersunk head screw M4X10		1			
035	347577-7	Washer 6		1			
036	234347-2	Compression spring 11		1			
037	271477-8	Lever 53		1			

038	265E61-9	Hex. head bolt M5X32	1		
039	253047-5	Flat washer 6	1		
040	4133U0-0	Wheel holder 300	1		
041	327G55-5	Shaft A	1		
042	962102-9	Retaining ring (INT) R-22	1		
043	961036-3	Retaining ring (EXT) WR-10	1		
044	210167-8	Ball bearing 6900LLB	1		
045	227A88-3	Spiral bevel gear 11	1		
046	141S15-3	Gear housing complete	1		
047	922241-7	Hex. socket head bolt M5X25 W	1		
048	922211-6	Hex. socket head bolt M5X12 W	1		
049	211493-8	Ball bearing 609DDW	1		
050	227A89-1	Spiral bevel gear 52	1		
051	327C06-4	Spindle	1		
052	211247-3	Ball bearing 6002DDW	1		
053	422A36-9	Gasket	1		
054	141S16-1	Gear housing cover complete	1		
055	922126-7	Hex. socket head bolt M4X16 W	4		
056	422A37-7	Dust guard	1		
057	347B34-7	Friction plate U	1		
058	327C07-2	Crank	1		
059	1916X3-0	Shear blade 500 set	1		
C10	252331-5	Hex. lock nut M5-8	7		
C20	257A04-1	Sleeve 5	7		
C30	257A05-9	Ring 8	7		
C40	265E60-1	Truss head screw M5X16	7		
C50	199450-5	Grease vessel set	1		
060	347B49-4	Under plate	1		
061	265D17-6	Hex. socket head bolt M5X25	4		
062	1832G3-1	GRIP SET	1		
C10	263005-3	Rubber pin 6	1		
062		INC. 67			
063	266326-2	Binding head tapping screw 4X1 8	5		
064	231473-8	Compression spring 4	1		
065	4135D7-9	Lock off button	1		
066	620T84-8	Switch circuit	1		
067	1832G3-1	GRIP SET	1		
C10	263005-3	Rubber pin 6	1		
067		INC. 62			
068	632X03-6	Switch unit	1		
069	231473-8	Compression spring 4	1		
070	4135D4-5	Switch lever	1		
071	266326-2	Binding head tapping screw 4X1 8	1		
072	687260-7	Strain relief	1		
075	137466-2	HANDLE 22 UPPER ASS'Y	1		
076	911163-6	Pan head screw M4X35 WR	3		
077	413944-9	Clamp	3		
078	265F13-6	Flat head bolt M8X50	2		
080	265C06-5	Thumb nut M8	2		
081	137426-4	HANDLE 22 LOWER ASS'Y	1		

082	252640-2	Thumb nut M8		1		
083	257A72-4	Sleeve 8		1		
084	922331-6	Hex. socket head bolt M6X20 W		2		
085	266745-2	Hex. head bolt M8X90		1		
086	699260-5	Power supply cord unit		1		
087	210341-8	Ball bearing 6001LLU		2		
088	1413D1-6	Tire 300 complete		1		
089	265E95-2	Hex. head shoulder bolt M8		1		
090	347E91-3	Fork		1		
091	252364-0	Collared hex. lock nut M8-13		1		
092	922241-7	Hex. socket head bolt M5X25 W		2		
093	312J96-2	Handle holder		1		
094	922231-0	Hex. socket head bolt M5X20 W		4		
095	312J97-0	Handle holder cam		1		
096	233309-7	Compression spring 16		1		
097	312J98-8	Handle cam		1		
A01	4133V1-5	Blade cover 500		1		
A02	422A15-7	Cap 24		1		
A03	424434-7	Cap 24		1		
A04	783202-0	Hex. wrench 4		1		
F01	1912V6-6	Shear blade 330 set		1		
F02	1916X3-0	Shear blade 500 set		1		

Please state Parts No. when your order.

Print Date 04/14/2026